

PRODUCT: SPJ-PCL-A36-SM

WEIGHT: 88 lbs.

CONCRETE COLOR:

CONCRETE TEXTURE:

- COAST
- CONCRETE
- CARBON
- CLAY
- BARK

- ETCHED
- POLISHED

QUANTITY: \_\_\_

SEALER: STD. SEALER 4200

GENERAL PRODUCT NOTES:

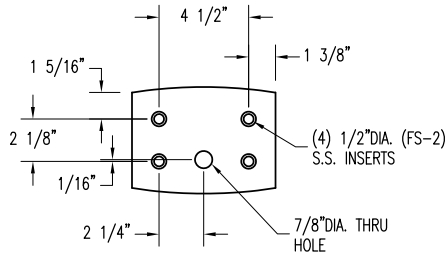
E = EXPOSED FINISHED SURFACE

INSTALLATION IS REQUIRED BY OTHERS.

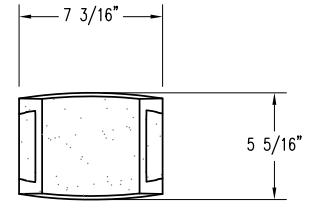
ALL EDGES TO BE EASED.

MANUFACTURING TOLERANCE  $\pm 1/4"$ .

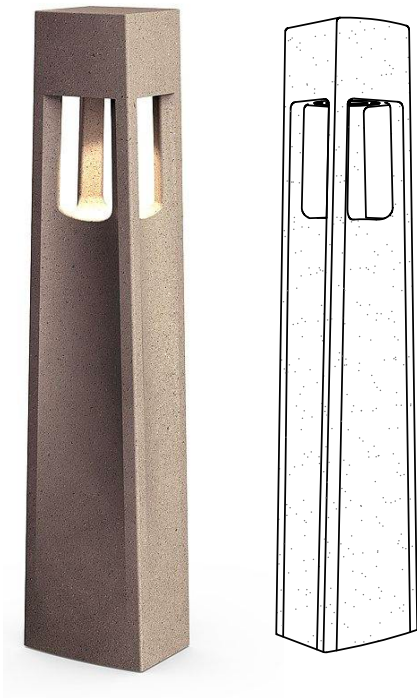
2700K STANDARD ELECTRICAL TEMPERATURE: 120-277V



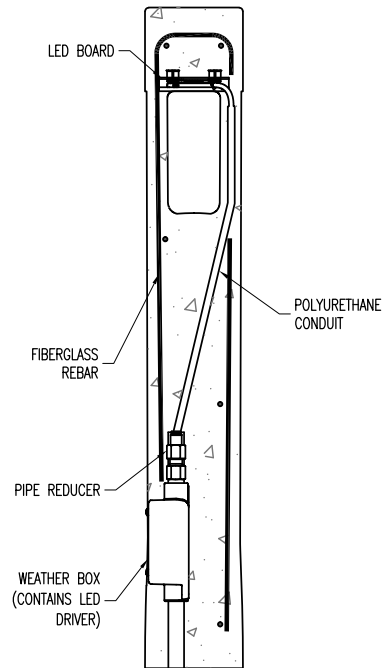
BOTTOM VIEW



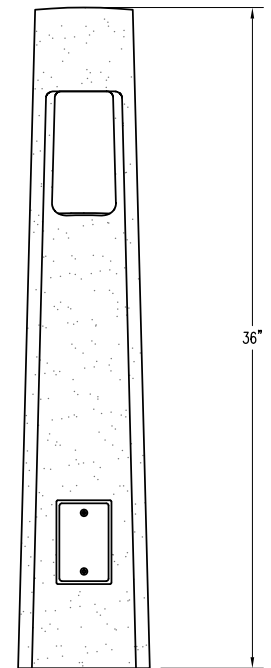
PLAN VIEW



PERSPECTIVE VIEW



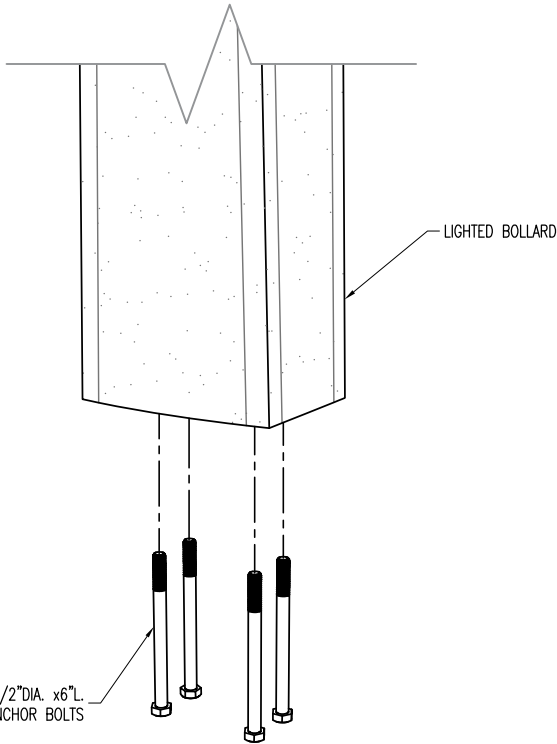
SECTION VIEW



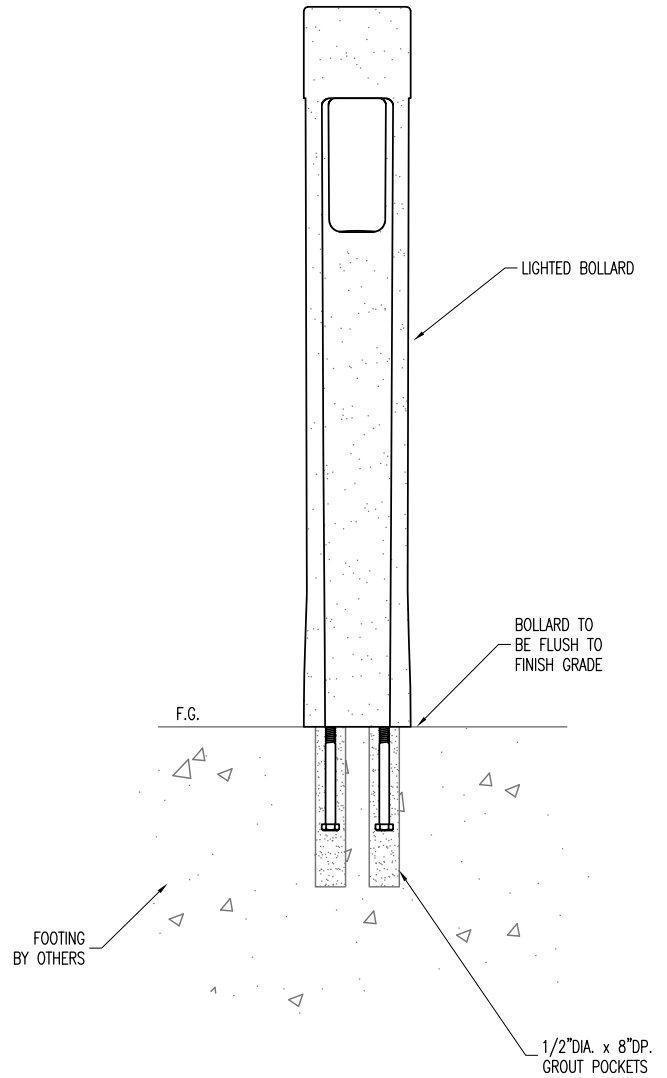
ELEVATION VIEW

**SPJ** LIGHTING Inc.  
ARCHITECTURAL LANDSCAPE & OUTDOOR LIGHTING

PLAN TYPE	CONSTRUCTION PLAN	DATE	11/3/20	FILE NO.	016_ST-BOL-A36-SM	SHEET	1
PRODUCT	SPJ-PCL-A36-SM   LIGHTED BOLLARD   SURFACE MOUNT	SCALE	1 1/4" = 1'	DRAWN BY:	W.R.	OF	
PROJECT NAME		PC. NO.		QC ITEM NO.			2



PERSPECTIVE VIEW  
N.T.S.



INSTALLATION VIEW  
N.T.S.

<p>ARCHITECTURAL LANDSCAPE &amp; OUTDOOR LIGHTING</p>	PLAN TYPE	INSTALLATION VIEW	DATE	FILE NO.	SHEET
	PRODUCT	SPJ-PCL-A36-SM   LIGHTED BOLLARD   BELOW GRADE	11/3/2016	16a_ST-BOL-A36-SM IN	2
	PROJECT NAME		SCALE	DRAWN BY:	OF
			1 1/4" = 1'	W.R.	2
			PC. NO.	QC ITEM NO.	