



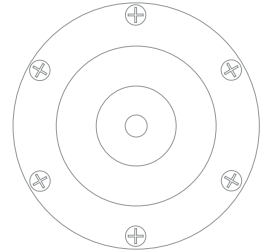
# Forever Bright

## SPECIFICATION FEATURES



Model: **SPJ-CBWL-16**  
Finish: Satin Brass

- Finish:** Our naturally etched finishes will withstand the test of time. All finishes are individually treated insuring consistency. Our meticulous application results in a fixture that truly becomes "a one of a kind".
- Electrical:** Available in 8-15V, 12V-15V or 120V
- Labels:** ETL Standard Wet Label  
C-ETL



Top View

### Well Light

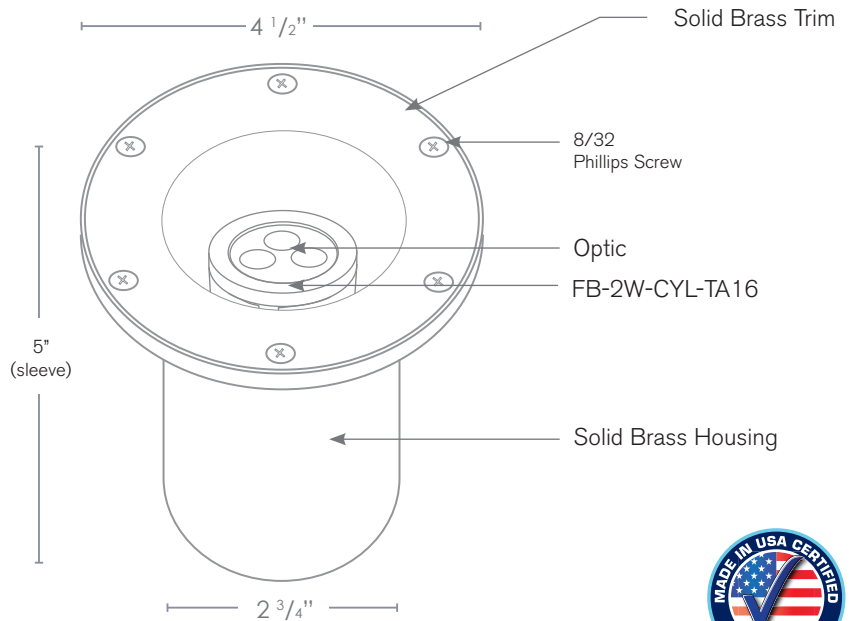
#### DESCRIPTION

- Model#:** SPJ-CBWL-16  
**Material:** Solid Brass  
**Color Temp:** 2700K  
**Optic:** Spot, Flood, Wide Flood, Wide Angle Flood

Lamp	Electrical	Lumens
Options: FB-1W-CYL-TA16	8-15v	80
FB-2W-CYL-TA16	8-15v	150
FB-3W-CYL-TA16	8-15v	200
FB-6W-CYL-TA16	12-15v	300
FB-8W-CYL-TA16	12-15v	580
FB-16W-CYL-TA16	12-15v	1160

- LED:** Nichia  
**Adjustable Beam Angle:** 0-40 Degree

- Concrete Pour Sleeve  
**Model:** SPJ13-100S  
**Trim Options:**  
ST - Square Trim 6" sq.  
FG - Flat Glass  
CG - Convex Glass  
GT - Grill Top



Wet Listed



#### ORDERING INFORMATION

Model#	Finishes	Wattage	Optics	Lumens	Color Temp.	Electrical
<b>SPJ-CBWL-16</b>	<b>SB</b>	<b>2W</b>	<b>FLOOD</b>	<b>135</b>	<b>2700K</b>	<b>8-15V</b>

V = Verde	GM = Gun Metal	1W	Spot	80	2700K	8-15V
M = Moss	B = Black	2W	Flood	150	4000K	12V-15V
AG = Aged Brass	R = Rusty	3W	Wide Flood	200	5000K	120V
MBR = Matte Bronze	SB = Satin Brass	6W	Wide Angle Flood	300		
RC = Raw Copper	PVDS = PVD Satin	8W		580		
		16W		1160		

WWW.SPJLIGHTING.COM